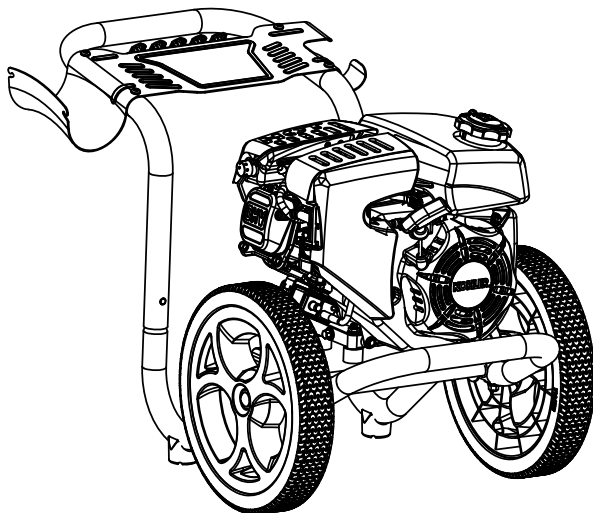
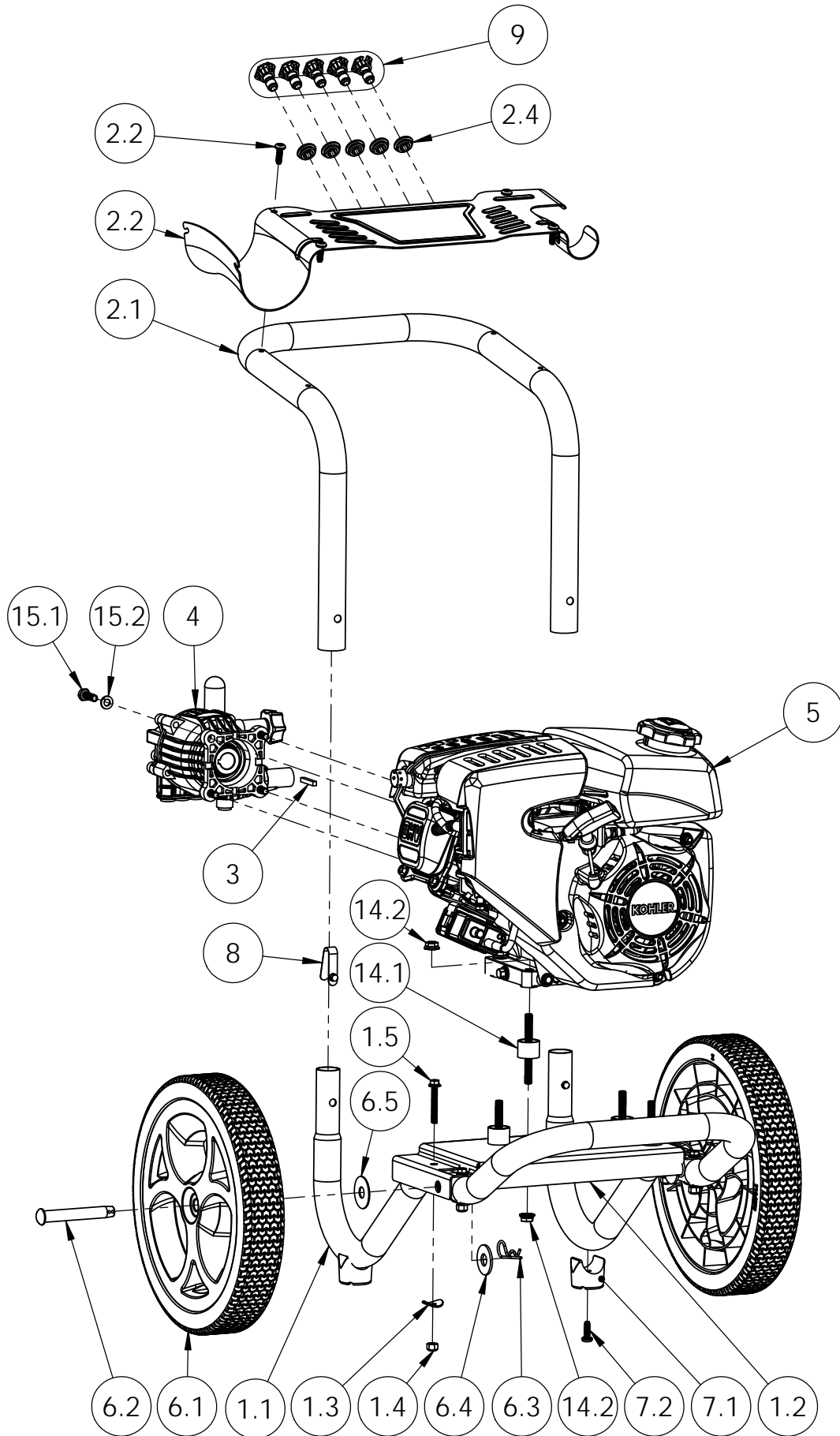


ITEM NO.	PART NO.	DESCRIPTION	QTY.
1	7108376	KIT, BASE FRAME SERVICE ASSEMBLY MS60753	1
† 1.1		TUBE, FRAME DOPP BENT 18GA BLACK	1
† 1.2		ENGINE PLATE, OPP BLACK	1
† 1.3		WASHER, SADDLE 5/16 X 1.0 X 0.060	4
† 1.4		NUT, 1/4"-20 NYLOCK	4
† 1.5		BOLT, 1/4"-20 x 1 3/4" SERRATED HHFB GR8	4
2	7108385	KIT, HANDLE SVC ASSY MS60763 W/DASHBOARD	1
† 2.1		TUBE, HANDLE OPP PUNCH-BENT 18GA BLACK	1
† 2.2		SCREW, TORX PANHEAD 1/4"-20 x 3/4"	4
2.3	7108146	OPP DASHBOARD-NOZZLE HOLDER ASSEMBLY	1
2.4	7106833	HOLDER, NOZZLE SINGLE	5
3	7104174	KEY, SHAFT 3/16" x 3/16" x 1 1/4"	1
4	7108379	PUMP, SVC ASSY 2800@2.4 W/O PB 11 DEG WOBBLE PLATE	1
† 4.1	520011	PUMP, 2800PSI@2.4GPM HORIZ-AX AL NO P-B	1
† 4.2		BOLT 5/16"-24 x 1" HHCS GR5	4
† 4.3		WASHER, SPLIT-LOCK 5/16" RUST RESISTANT	4
† 4.4		CAP, UNLOADER COVER 1 1/2" x 5/8" BLACK	1
† 4.5		KEY, SHAFT 3/16" x 3/16" x 1 1/4"	1
5	7108386	ENGINE, SVC KIT ASSY KOHLER RH265	1
† 5.1		ENGINE, 196CC RH265 KOHLER BLACK HORIZ.	1
† 5.2		KEY, SHAFT 3/16" x 3/16" x 1 1/4"	1
6	7106790	WHEEL KIT, 12" x 2"	2
† 6.1		POWERWASHER WHEEL 12"X2" POLYPRO/PVC BLK	1
† 6.2		AXLE, STUB .525" x 3.655" ROUND HEAD ZN	1
† 6.3		COTTER PIN, 3/8-5/8" x 3/32 x 2-3/8 STL	1
† 6.4		WASHER, 1/2" FLAT SAE THROUGH HARDENED	1
† 6.5		WASHER, 1/2 X 1.50 FENDER, ZINC PLATED	1
7	7105468	FOOT SERVICE KIT, RUBBER FOOT AND SCREW	2
† 7.1		FOOT, RUBBER 1.5OD FITTED TO 1.25 TUBE	1
† 7.2		SCREW, TORX PANHEAD 1/4"	1
8	7102122	BUTTON, SNAP	2
9	7108087	NOZZLE, 5PC 1/4QC-M #2.8-0, #3.2-15,25&40, PSOAP	1
10	7107956	GUN, OEM FRONT ENTRY, OF341 3400 PSI	1
11	7103550	LANCE, 16" W/ 1/4" QC-F x M22(M)	1
12	7106419	HOSE, MORFLEX 1/4" x 25' x 3100PSI M22(M) x M22(F)	1
13	7102207	SOAP HOSE AND FILTER KIT	1
† 14	7108382	HARDWARE KIT, ENGINE MOUNT VIBRATION DAMPING	1
† 14.1		VIBRATION MOUNT 3/4" X 1.0" DIA BLK	4
† 14.2		NUT, WHIZ 5/16"-18	8
† 15	7105474	HARDWARE KIT, PUMP MOUNTING	1
† 15.1		BOLT 5/16"-24 x 1" HHCS GR5	4
† 15.2		WASHER, SPLIT-LOCK 5/16" RUST RESISTANT	4
* 16	7102045	TOOL, NOZZLE CLEANING, UNIVERSAL	1
* 17	7108049	MANUAL, OPERATORS 60763	1
* 18	7108284	BOX, SHIPPABLE PLAIN KRAFT 60777/60763	1

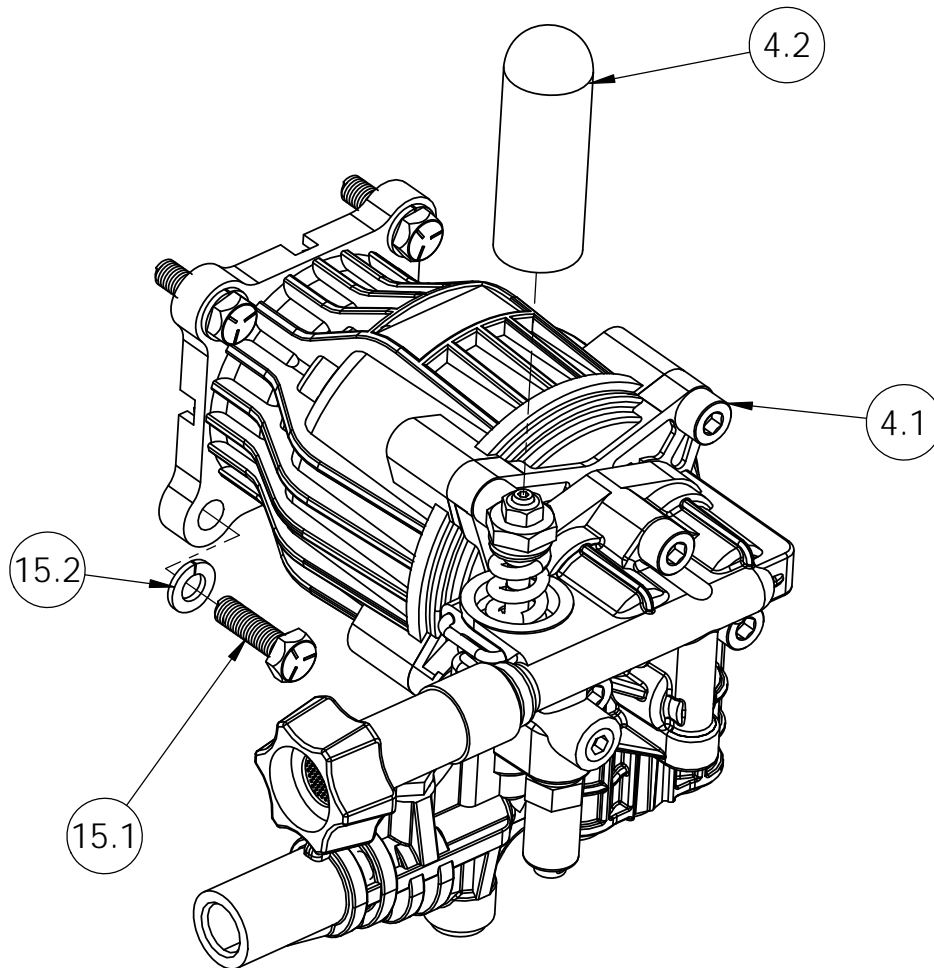


\* NOT SHOWN  
† NOT SOLD SEPERATELY

DRAWN			NAME		DATE	
DRAWN			KDB		6/29/2015	
CHECKED			-		-	
ENG APPR			-		-	
MFG APPR			-		-	
Q A APPR			-		-	
SERVICE APPR			-		-	
<b>PROPRIETARY AND CONFIDENTIAL</b>						
<small>THE INFORMATION CONTAINED IN THIS DRAWING IS THE SOLE PROPERTY OF FNA-GROUP. ANY REPRODUCTION IN PART OR AS A WHOLE WITHOUT THE WRITTEN PERMISSION OF FNA-GROUP IS PROHIBITED.</small>						
<b>FNA-GROUP</b>			1265 INDUSTRIAL STREET DECATUR AR 72722			
TITLE: MS60763-S SIMPSON 3000PSI@ 2.4GPM KOHLER						
SIZE	DWG NO		60763		REV	
A					A	
SCALE: N/A			ECN# -		SHEET 1 OF 9	



SIZE	DWG NO	REV
<b>A</b>	<b>60763</b>	<b>A</b>
SCALE: N/A	ECN# -	SHEET 2 OF 9

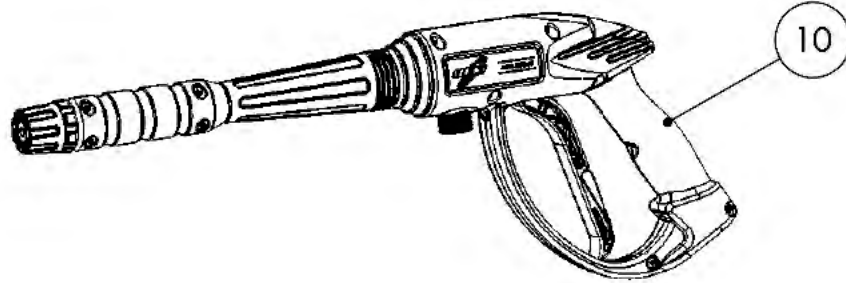


PUMP ASSEMBLY  
PART NO. 7108379

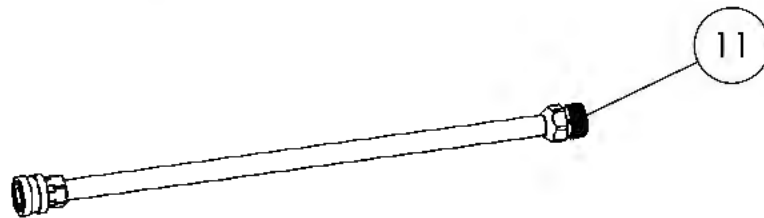
ITEM NO.	PART NO.	DESCRIPTION	QTY.
4.1	520011	PUMP, 3000PSI@2.4GPM HORIZ-AX AL NO P-B	1
4.2		CAP, UNLOADER COVER 1 1/2" x 5/8" BLACK	1
15.1		BOLT 5/16"-24 x 1" HHCS GR5	4
15.2		WASHER, SPLIT-LOCK 5/16" RUST RESISTANT	4
* 3	7104174	KEY, SHAFT 3/16" x 3/16" x 1 1/4"	1

\* NOT SHOWN

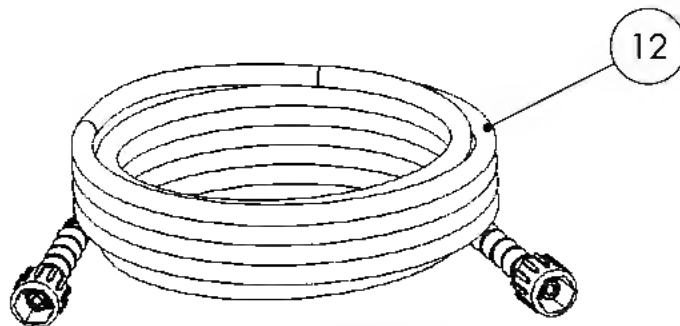
SIZE <b>A</b>	DWG NO 60763	REV <b>A</b>
SCALE: N/A	ECN# -	SHEET 3 OF 9



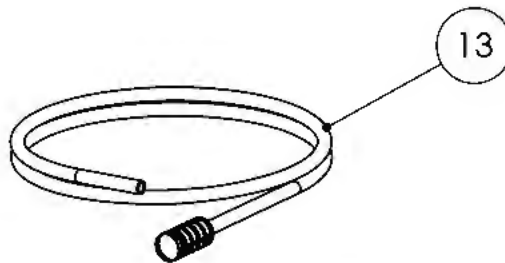
GUN, OEM FRONT ENTRY, OF341 3400 PSI  
PART NO. 7107956



Lance, 16" w/1/4 QC and M22(M)  
PART NO. 7103550



HOSE, MORFLEX 1/4" x 25' x 3100PSI M22(M) x M22(F)  
PART NO. 7106419



KIT, SOAP HOSE & FILTER  
PART NO. 7102207

SIZE	DWG. NO.	REV
A	60763	A
SCALE: N/A	ECN# -	SHEET 4 OF 9